

ARCH SETUP MANUAL

INFLATION

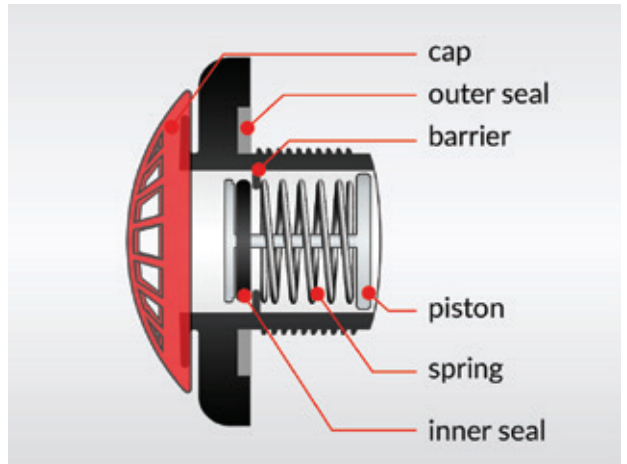
1. Clean an area, where the arch should be placed. Mainly sharp objects and chemicals have to be removed. Use of protection blanket is recommended.



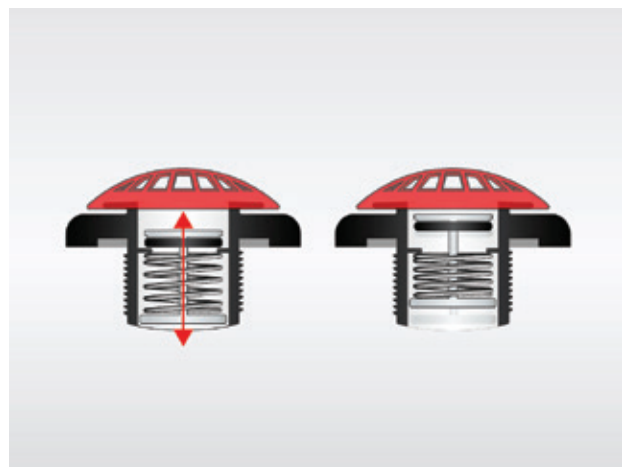
2. Check position and function of all valves. There always must be one black (inflation) valve and one red (overpressure) valve on each base of arch. A base part of black valve must be properly tightened (check a valve seal before use), small black cap must stay open.



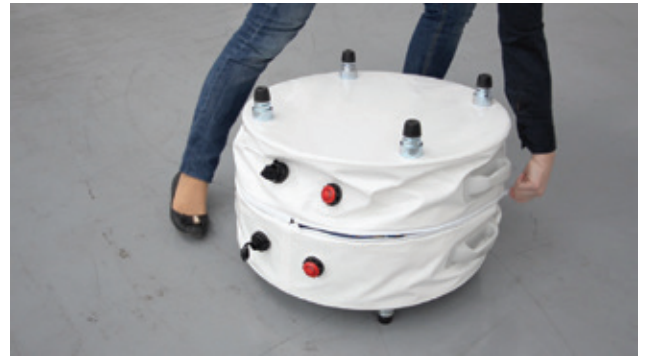
Red overpressure valves must be installed on their positions, well tightened to prevent air leak.



In a case arch was not used for longer time period, it is recommended to check functioning of all overpressure valves by pushing the spring with a finger or blowing through the valve. Parallely, seats of all valves shall be checked to avoid sand grains or dirt to block closing the valve.



3. Unzip bases.



4. Place arch to its future position.

5. Inflate arch by connect a hose of pump to the black valve and start inflation, ideally till the moment when overpressure valve would open automatically. Overpressure valves are calibrated to the maximum allowable pressure, do not overpressure your tent more as necessary. Do not disable overpressure valves, it may cause a bladder rupture!



6. After releasing an inflation hose, do not forget to close and tight the small cap of each inflation valve.



7. If the tube is equipped with steel plate, install it in laying position.



8. Erect the arch.

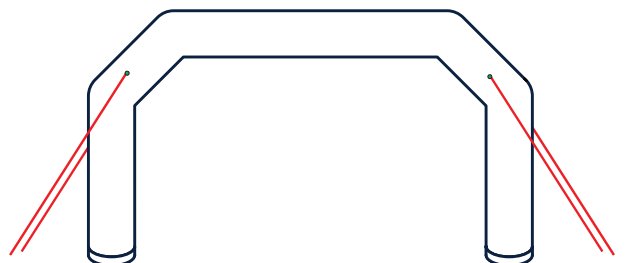
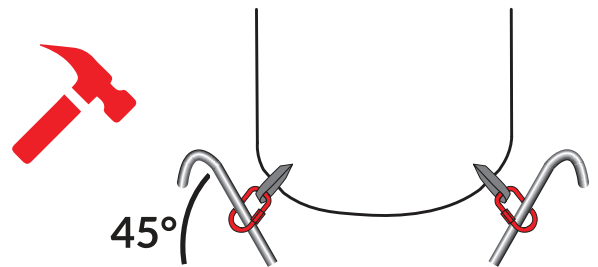
DEFLATION

1. Put down the tube.
Detach steel plate.
Open inflation valve.
Start to fold deflated tube to its base. In this way you will release the rest of air out of the tube.
Zip top cover and base together.
Screw all valves back into their position.



ANCHORING

1. Anchor arch by using four steel spikes through loops on each base in 45° to the ground. There are main ropes attached to points directly from the factory. Those ropes must be anchored with steel spikes. An optimum angle of spikes to the ground is 45°, an optimum angle of ropes is diagonally (45°) to the arch.



NOTE

1. Avoid open flame, sharp objects and chemicals.
Clean by water, technical alcohol and detergent (no aggressive) only! Do not use aggressive dissolvent!
Store dry!
Product is made from 100% polyester and polyurethane bladder.
It can be damaged by rough handling!
2. Do not overpressure!
By exposing to sun, internal pressure is naturally increasing.
Overpressure is released by RED overpressure valve, there must be placed on right position.
Once the air comes cooler (mainly in the evening), internal pressure goes down.
There can be the necessity to refill missing air.
3. Avoid manipulation of deflated product with attached steel plates! They have to be attached in laying position of inflated product and detached in the same (laying) position of inflated product before deflation.
4. Always screw all valves back into their position after use! Unscrew valves can damage valve bases.